

Analygas® Systems Model 45 is a combustible gas monitor that supplies a 4-20mA signal proportional to the gas concentration. It is used in conjunction with our Model 30, 40 or 41 multipoint readout units.

Alternatively, it can be interfaced with a computer or other data acquisition system.

The Model 45 protects property from potential fire and explosion.



KEY FEATURES

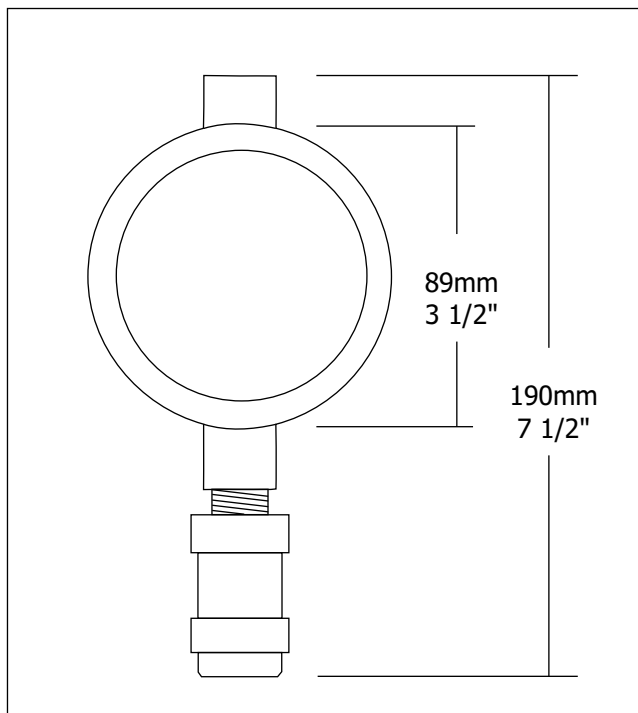
Catalytic pellistor bead sensor

Rugged explosion proof enclosure

Class I, ABCD

Class II, EFG

4-20mA Output



Analygas® Systems Model 45 is a wall mounted gas monitor which utilizes catalytic pellistor technology to detect combustible gases.

The Model 45 can measure gas concentrations up to 100% LEL.

The signal output is a linear function of gas concentration. The standard 4-20mA output format will interface with almost any data acquisition and control unit.

SPECIFICATIONS

- 24 VAC Input
- 4-20mA Output
- Resolution 1% of Full Scale
- Response Time: To 90% Full Scale in less than 10 Seconds
- Operating Temperature Range: -40°C to 40°C
- Typical Sensor Life: 5 Years